

# Remote Unit

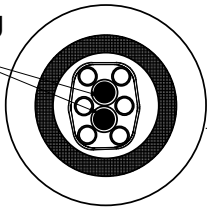
The insulated duct line has the tubing with the cold soda water, ice water, and chilled syrups, that go to a bar gun or tower. Always cut the duct line as short as possible, this gives a colder drink, faster. The large "clear" tubing is used to circulate ice water from the water bath, so you need to install the stainless steel "U" fitting with clamps to put the lines together. This should be done inside the insulation, and be duct taped off to keep the air out, and to keep from sweating.

The water bath area is under the lid. You must fill the water bath with tap water, to the top of the standpipe, (in the front of the water bath, (white PVC tube), the water will be about 3/4" from the top of the unit. Yes, all that stuff ends up under water. This will require about 3 gallons of water. Do not turn the refrigeration on without water in the water bath. The water bath is where the unit makes a block of ice used to cool the drinks. it will take about 4 hours for the first ice bank to form, 6 lbs. of ice, and shut off. After that it will cycle periodically maintaining a full ice bank.

\*\*\* This water is only used for cooling the drinks, and you will never drink this water. From time to time check water level, and fill if low.

All lines will be identified

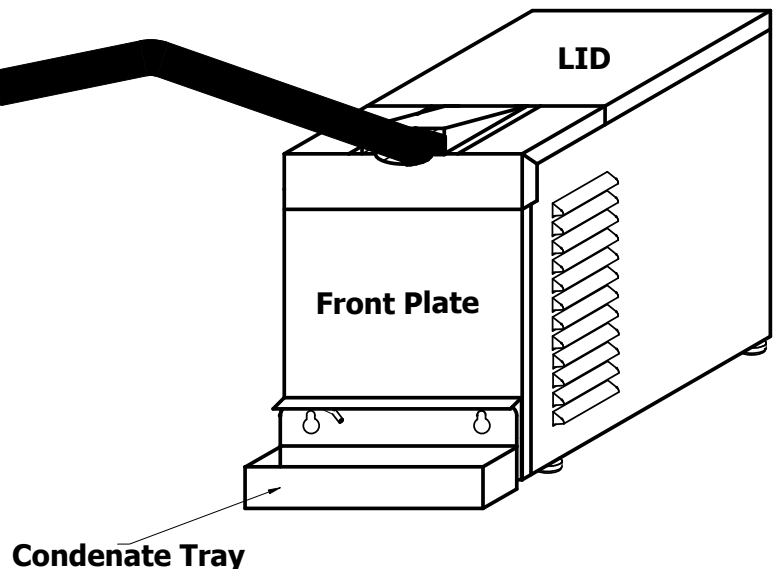
Recirculating  
Water



Soda  
Water  
Syrups 1 - ?

Lines go to Bar Gun or Tower

\*\*Make sure that remote unit has ventilation. If you put unit inside a cabinet, to avoid over-heating, put vents in cabinet doors, or side of cabinet, to let the heat out.



The incoming water, syrup, CO2 gas, and electric lines all come out of the unit behind the "Front Plate" in the center. It is best to bring the lines straight back, under the unit to keep them from kinking. You can raise the glides to keep from kinking the lines  
\*\*\*Connect all lines and turn on the water supply, BEFORE turning the power switch to the "ON" position.